



Simple and Effective, The Tri-Clover® Ball Valve

Alfa Laval 5308/5309 Series Ball Valves

Concept

Ball valves are ideal for applications requiring a full flow body design to minimize line turbulence and pressure drop. An encapsulated seat option is available for critical process applications requiring maximum reduction of potential for product entrapment.

Standard Design

The Ball valve consists of a stainless steel body that houses a rotating ball. The rotating ball is sealed in the body with a PTFE seat that either partially or fully encapsulates the ball. The valve is activated by a stainless steel handle that opens and closes the valve through a quarter turn. The valve can also be operated by an optional ¼ turn pneumatic or electric actuator. External thrust springs maintain constant pressure on the stem packing. The stem and packing design eliminate the possibility of the stem becoming dislodged or blown out.



TECHNICAL DATA

Temperature

Temperature range: -20°C to 150°C (EPDM)

Temperature range: -4°F to 302°F (EPDM)

Pressure

Max. product pressure: 400 kPa (40 bar)

Max. product pressure: 580 PSI (40 bar)

Min. product pressure: Full vacuum

PHYSICAL DATA

Materials

Valve body CF3M9 (316L)

Ball & Stem 1.4401 (316L)

Handle 1.4301 (304)

External surface finish Semi-bright (blasted)

Internal surface finish Bright (polished), Ra ≤ 0.5 µm

Surface finish Ra 20 µin

Product wetted seals PTFE

Actuator surface Epoxy coated

Actuator bracket, coupling and hardware 304 stainless steel

Options

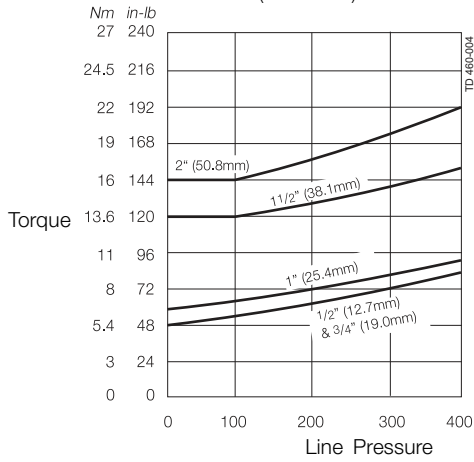
Actuator Function

- A. Pneumatic actuator air to air
- B. Pneumatic actuator air to spring
- C. Reinforced PTFE
- D. Stainless Steel
- E. Actuator bracket, coupling and hardware
 - 1.4301 (304) stainless steel

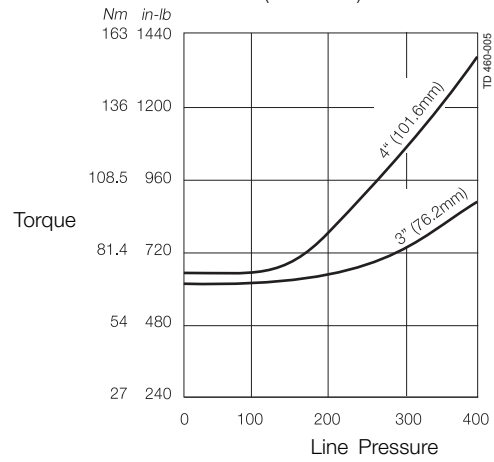
Torque vs. Pressure

Standard Seats

1/2" (12.7mm) - 2" (50.8mm) Tube OD 1/2" (0.50 inch)
 - 2" (2.00 inch) Tube OD

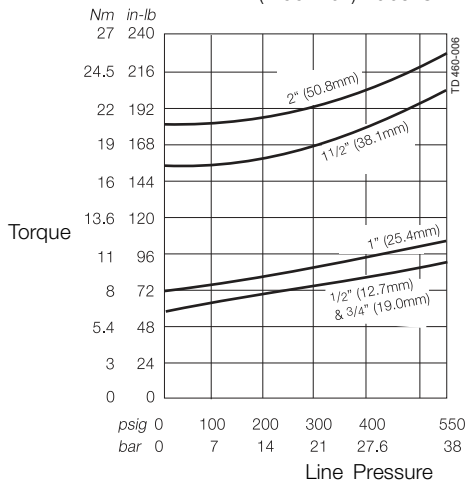


3" (76.2mm) - 4" (101.68mm) Tube OD 3" (3.00 inch)
 - 4" (4.00 inch) Tube OD

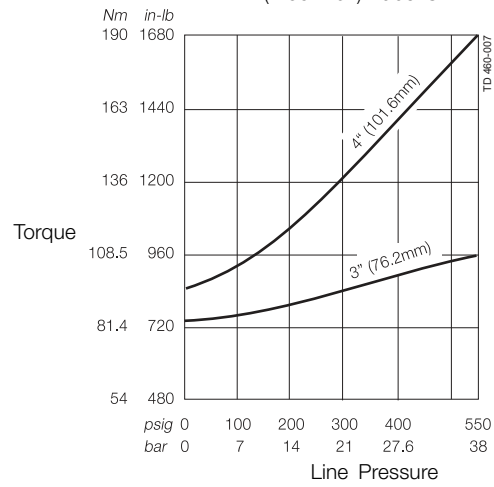


Encapsulated Seats

1/2" (12.7mm) - 2" (50.8mm) Tube OD 1/2" (0.50 inch)
 - 2" (2.00 inch) Tube OD

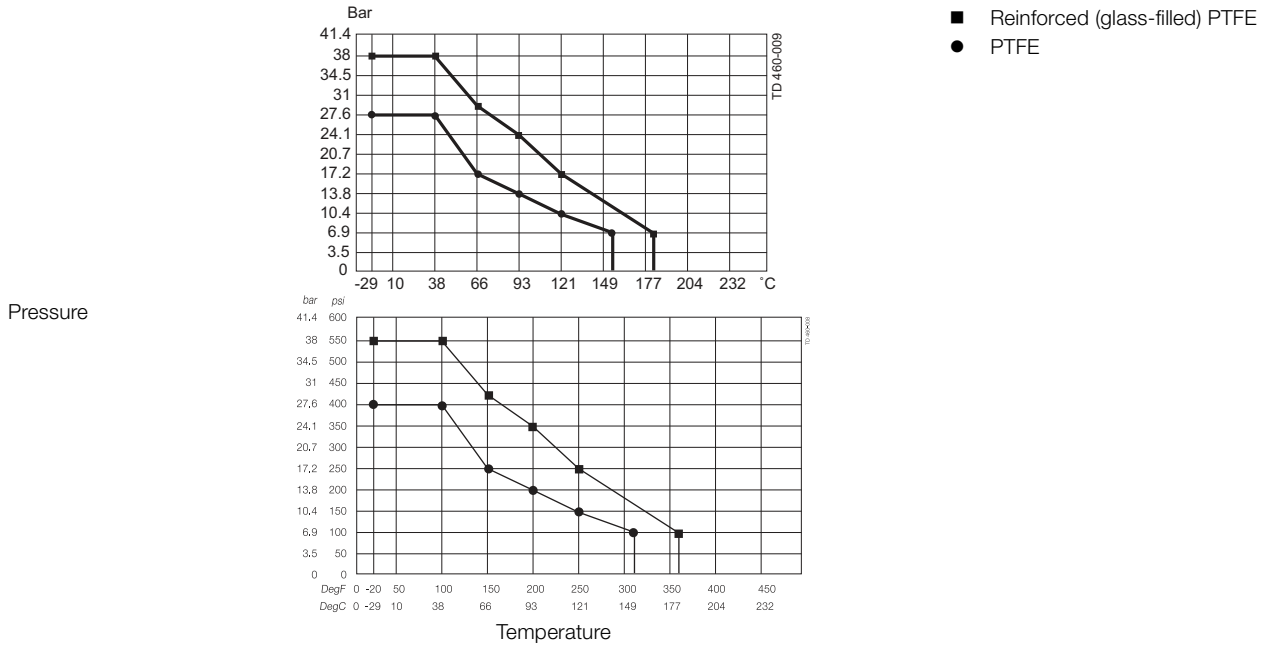


3" (76.2mm) - 4" (101.68mm) Tube OD 3" (3.00 inch)
 - 4" (4.00 inch) Tube OD

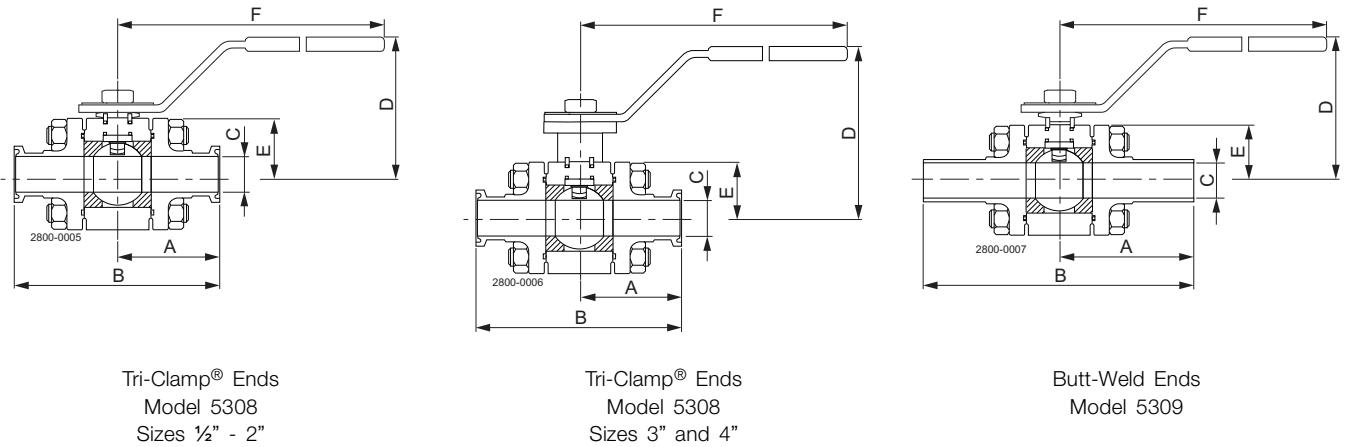


Use the charts above to determine the amount of torque required to cycle the ball valve.

Standard and Encapsulated Seats: Ratings - Pressure vs. Temperature



Manual Valve Dimensions



Model	Size	A		B		C		D		E		F		Weight (valve + handle)		
		inch	mm	inch	mm	inch	mm	inch	mm	inch	mm	inch	mm	lb	kg	
5308 Tri-Clamp® (both ends)	1/2	12.7	1 3/4	44.5	3 1/2	88.9	3/8	9.5	2 5/16	58.7	1 9/64	29.0	5 1/4	134	2	0.9
	3/4	19.0	1 3/4	44.5	3 1/2	88.9	5/8	15.9	2 7/16	61.9	1 9/64	29.0	5 1/4	134	2	0.9
	1 1/2	25.4	1 3/4	44.5	3 1/2	88.9	27/32	21.4	2 5/16	58.7	1 19/64	33.0	5 1/4	134	3	1.4
	1	38.1	2 1/4	57.2	4 1/2	114.3	1 23/64	34.5	2 3/4	95.3	1 37/64	40.0	6 11/16	170	6	2.7
	2	50.8	2 1/2	63.5	5	127.0	1 56/64	47.2	4 1/8	104.8	2 3/16	55.5	8 9/64	207	10	4.5
	3	76.2	3 7/8	98.4	7 3/4	196.9	2 55/64	72.6	7	177.8	4 9/16	115.5	11 3/4	298.4	30	13.6
5309 Butt-Weld (both ends)	4	101.6	4 3/4	120.7	9 1/2	241.3	3 13/16	81.0	7 1/2	190.5	5 1/4	113.5	13 1/4	336.5	47	21.3
	1/2	12.7	2 11/16	68.3	5 3/8	136.5	3/8	9.5	2 5/16	58.7	1 9/64	29.0	5 1/4	134.0	2	0.9
	3/4	19.0	2 13/16	71.4	5 5/8	142.9	5/8	15.9	2 7/16	61.9	1 9/64	29.0	5 1/4	134.0	2	0.9
	1	25.4	3 7/32	81.8	6 7/16	163.5	27/32	21.4	2 5/16	58.7	1 19/64	33.0	5 1/4	134.0	3	1.4
	1 1/2	38.1	3 5/8	92.1	7 1/4	184.2	1 23/64	34.5	3 3/4	95.3	1 37/64	40.0	6 11/16	170.0	6	2.7
	2	50.8	3 13/16	81.0	7 5/8	193.7	1 55/64	47.2	4 1/8	104.8	23/16	55.5	8 9/64	207.0	10	4.5

Valves with Pneumatic Actuators

Alfa Laval offers two types of pneumatic actuators, available in air-to-air or air-to-spring. Air-to-spring is available in normally open or normally-closed models. All models are offered with epoxy-coated aluminium alloy or optional 304 stainless steel housing. Pneumatic actuator air pressure requirements are:

Air-to-Air: 25 to 100 psi (1.7 to 6.9 bar)

Air-to-Spring: 80 to 100 psi (5.5 to 6.9 bar)

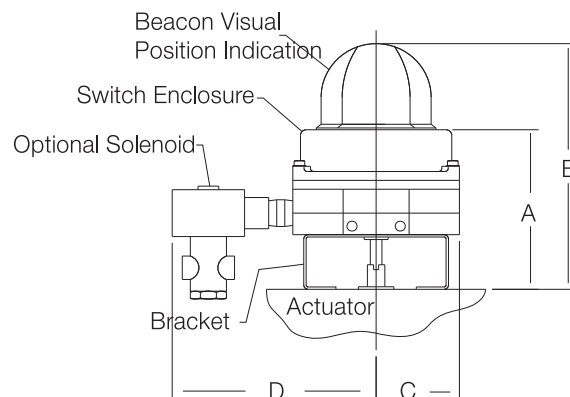
Note: Air pressure requirements are dependent upon the valve scope and operating conditions.

Selection Tables for Pneumatic Actuators

Stainless Steel			
Valve Size	Type	Air Volume Req'd	NTP Air Connector Size
1/2" or 3/4"	Air-to-Air	15.26 cu. in.	1/8"
1" or 1 1/2"	Air-to-Air	15.26 cu. in.	1/8"
2"	Air-to-Air	36.60 cu. in.	1/8"
3" or 4"	Air-to-Air	67.12 cu. in.	1/8"
1/2"	Air-to-Spring	9.15 cu. in.	1/8"
3/4", 1" or 1 1/2"	Air-to-Spring	15.26 cu. in.	1/8"
2"	Air-to-Spring	27.46 cu. in.	1/8"
3" or 4"	Air-to-Spring	86.65 cu. in.	1/4"

Aluminum			
Valve Size	Type	Air Volume Req'd	NTP Air Connector Size
1/2" or 3/4"	Air-to-Air	15.26 cu. in.	1/8"
1" or 1 1/2"	Air-to-Air	15.26 cu. in.	1/8"
2"	Air-to-Air	36.60 cu. in.	1/8"
3" or 4"	Air-to-Air	67.12 cu. in.	1/8"
1/2"	Air-to-Spring	9.15 cu. in.	1/8"
C/v" or 1"	Air-to-Spring	9.15 cu. in.	1/8"
1 1/2"x"	Air-to-Spring	15.26 cu. in.	1/8"
2"	Air-to-Spring	22.00 cu. in.	1/2"
3" or 4"	Air-to-Spring	86.65 cu. in.	3/4"

Dimensions - Accord Switch Options



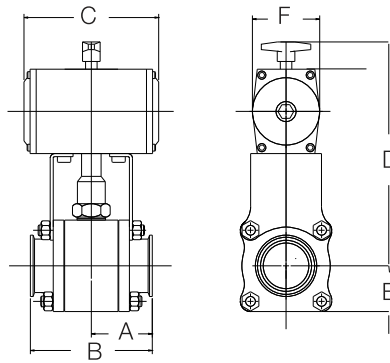
Model	A		B		C		D	
	inch	mm	inch	mm	inch	mm	inch	mm
NEMA 4, 4X, 7, 9 (Aluminum)	5.13	130.2	7.59	192.9	2.63	66.7	6.06	154.0
NEMA 4, 4X (Zytel)	5.13	130.2	7.59	192.9	2.31	58.7	4.06	103.2

Optional: Two mechanical or proximity switches contained within the enclosure.

Pneumatic Actuator Options

- A. All stainless steel and non-stainless, epoxy coated aluminum alloy actuators can be furnished with a basic switch enclosure. Specify either NEMA 4 or NEMA 7. The enclosure/bracket assembly is mounted on top of the actuator.
- B. Basic switch enclosure can be furnished with optional Pharos visual indicator.
- C. 3-way and 4-way solenoids can be mounted to basic switch enclosure. All wire connections are through a terminal strip, located inside the basic switch enclosure.

Dimensions - Valves with Pneumatic Actuators Tri-Clamp®
Connection



Air to Air Actuators (Aluminum or Stainless Steel)

Model	Size		A		B		C		D		E		F	
	inch	mm	inch	mm	inch	mm	inch	mm	inch	mm	inch	mm	inch	mm
5308 Tri- Clamp® ends	½	12.7	1.75	44.5	3.50	88.9	4.25	107.9	5.62	142.8	0.91	23.0	3.00	76.0
	¾	19.0	1.75	44.5	3.50	88.9	4.25	107.9	5.69	144.4	0.97	24.6	3.00	76.0
	1	25.4	1.75	44.5	3.50	88.9	4.25	107.9	5.78	146.0	1.13	28.6	3.00	76.0
	1½	38.1	2.25	57.2	4.50	114.3	4.25	107.9	6.661	168.0	1.50	38.1	3.00	76.0
	2	50.8	2.50	63.5	5.00	127.0	5.24	133.0	8	203.0	1.87	47.6	2.75	69.8
	3	76.2	3.87	98.4	7.75	196.9	8.03	204.0	10.87	276.0	2.72	69.1	3.96	100.7
4	101.6	4.75	120.7	9.50	241.3	8.03	204.0	11.56	293.7	3.47	88.1	3.96	100.7	

Air to Spring Actuators (Aluminum)

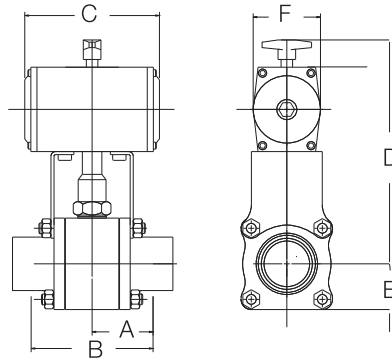
Model	Size		A		B		C		D		E		F	
	inch	mm	inch	mm	inch	mm	inch	mm	inch	mm	inch	mm	inch	mm
5308 Tri- Clamp® ends	½	12.7	1.75	44.5	3.50	88.9	4.25	107.9	5.62	142.8	0.91	23.0	3.00	76.0
	¾	19.0	1.75	44.5	3.50	88.9	7.00	177.8	6.50	165.0	0.97	24.6	3.62	92.0
	1	25.4	1.75	44.5	3.50	88.9	7.00	177.8	7.75	196.8	1.13	28.6	3.62	92.0
	1½	38.1	2.25	57.2	4.50	114.3	8.03	204.0	8.37	212.7	1.50	38.1	3.62	92.0
	2	50.8	2.50	63.5	5.00	127.0	8.03	204.0	8.81	223.8	1.87	47.6	3.96	100.7
	3	76.2	3.87	98.4	7.75	196.9	11.50	292.0	13.03	331.0	2.72	69.1	5.37	136.5
4	101.6	4.75	120.7	9.50	241.3	11.50	292.0	13.74	349.0	3.47	88.1	5.37	136.5	

Air to Spring Actuators (Stainless Steel)

Model	Size		A		B		C		D		E		F	
	inch	mm	inch	mm	inch	mm	inch	mm	inch	mm	inch	mm	inch	mm
5308 Tri- Clamp® ends	½	12.7	1.75	44.5	3.50	88.9	4.25	107.9	5.62	142.8	0.91	23.0	3.00	76.0
	¾	19.0	1.75	44.5	3.50	88.9	7.00	177.8	7.75	196.8	0.97	24.6	3.62	92.0
	1	25.4	1.75	44.5	3.50	88.9	7.00	177.8	7.75	196.8	1.13	28.6	3.62	92.0
	1½	38.1	2.25	57.2	4.50	114.3	7.00	177.8	8.38	212.7	1.50	38.1	3.62	92.0
	2	50.8	2.50	63.5	5.00	127.0	8.03	204.0	9.13	231.8	1.87	47.6	3.96	100.7
	3	76.2	3.87	98.4	7.75	196.9	11.50	292.0	13.03	331.0	2.72	69.1	5.37	136.5
4	101.6	4.75	120.7	9.50	241.3	11.50	292.0	13.74	349.0	3.47	88.1	5.37	136.5	

Note: 3" and 4" valves do not require actuator mounting brackets. Body Design includes actuator mounting pad as standard.

Dimensions - Valves with Pneumatic Actuators
Butt-Weld Connection



Air to Air Actuators (Aluminum or Stainless Steel)															
Model	Size		A		B		C		D		E		F		
	inch	mm	inch	mm	inch	mm	inch	mm	inch	mm	inch	mm	inch	mm	
5309	½	12.7	2.69	68.3	5.37	136.5	4.25	107.9	5.62	142.8	0.91	23.0	3.00	76.0	
	¾	19.0	2.81	71.4	5.63	142.9	7.00	177.8	5.69	144.4	0.97	24.6	3.00	76.0	
Weld ends	1	25.4	3.22	81.8	6.44	163.5	7.00	177.8	5.75	146.0	1.13	28.6	3.00	76.0	
	1½	38.1	3.63	92.1	7.25	184.2	7.00	177.8	6.61	168.0	1.50	38.1	3.00	76.0	
	2	50.8	3.94	100.0	7.63	193.7	8.03	204.0	8.00	203.0	1.87	47.6	2.75	69.8	

Air to Spring Actuators (Aluminum)															
Model	Size		A		B		C		D		E		F		
	inch	mm	inch	mm	inch	mm	inch	mm	inch	mm	inch	mm	inch	mm	
5309	½	12.7	2.69	68.3	5.37	136.5	4.25	107.9	5.62	142.8	0.91	23.0	3.00	76.0	
	¾	19.0	2.81	71.4	5.63	142.9	5.24	133.0	6.50	165.0	0.97	24.6	2.75	69.8	
Weld ends	1	25.4	3.22	81.8	6.44	163.5	5.24	133.0	7.75	196.8	1.13	28.6	2.75	69.8	
	1½	38.1	3.63	92.1	7.25	184.2	7.00	177.8	8.37	212.7	1.50	38.1	3.62	92.0	
	2	50.8	3.94	100.0	7.63	193.7	7.00	177.8	8.81	223.8	1.87	47.6	3.62	92.0	

Air to Spring Actuators (Stainless Steel)															
Model	Size		A		B		C		D		E		F		
	inch	mm	inch	mm	inch	mm	inch	mm	inch	mm	inch	mm	inch	mm	
5309	½	12.7	2.69	68.3	5.37	136.5	4.25	107.9	5.62	142.8	0.91	23.0	3.00	76.0	
	¾	19.0	2.81	71.4	5.63	142.9	7.00	177.8	7.75	196.8	0.97	24.6	3.62	92.0	
Weld ends	1	25.4	3.22	81.8	6.44	163.5	7.00	177.8	7.75	196.8	1.13	28.6	3.62	92.0	
	1½	38.1	3.63	92.1	7.25	184.2	7.00	177.8	8.37	212.7	1.50	38.1	3.62	92.0	
	2	50.8	3.94	100.0	7.63	193.7	8.03	204.0	9.13	231.8	1.87	47.6	3.96	100.7	

Options
Equipment

- Product connections: weld, bevel seat
- Position indication: mechanical or proximity switches

Alfa Laval reserves the right to change specifications without prior notification. ALFA LAVAL is a trademark registered and owned by Alfa Laval Corporate AB.

ESE00169EN 1507

© Alfa Laval



Tank Cleaning Technologies a division of
inTank Technologies Limited