



Tank Cleaning Technologies a division of

inTank Technologies Limited

**PRESS
RELEASE**

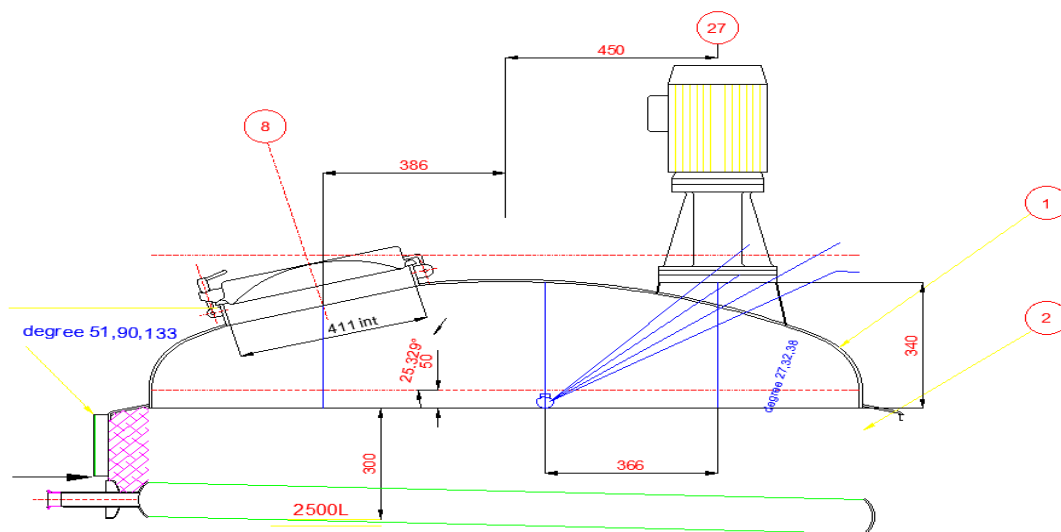
inTank Technologies are pleased to announce

Back in 2018 after many years of working with Boxall Engineering, inTank Technologies are delighted to announce that they have recently acquired the Boxall Engineering business.

Both inTank Technologies and Boxall Engineering had previously worked together for over 15 years designing and manufacturing Targeted Spray Balls and Dip Pipe Assemblies for the Pharmaceutical and general Process Industry.

Providing solutions to enable customers to pass that very important Riboflavin coverage test during the FAT stage, solutions that would never be achievable using the standard 16swg fixed spray ball.

Targeted spray pattern design enables the removal of all shadowing within the vessel while also minimising water usage. Our in-house CAD designers design the spray patterns to suit customers individual requirements.



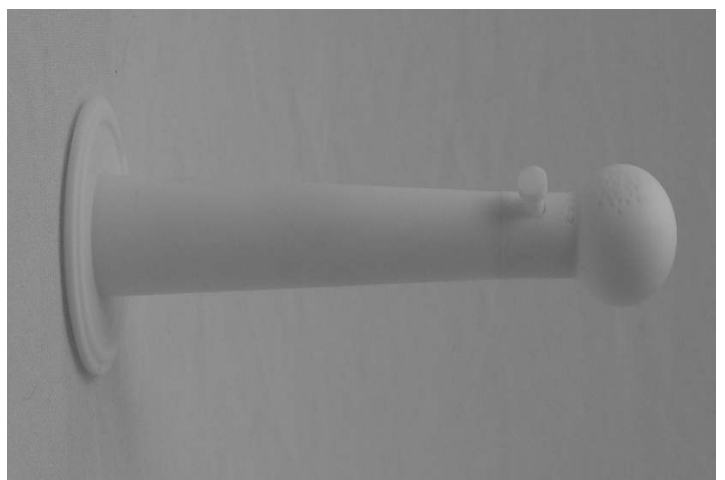
**PRESS
RELEASE**

Our new manufacturing facilities offers customers the precision engineering you would expect from CNC and 5 Axis machining. Our facility enables us to not only manufacture our Targeted Fixed Spray Balls but also targeted Rotary Spray heads and Dip Pipe Assemblies.





Exotic materials, improved surface finishes, electropolishing, pickling and passivating and full 3.1 material traceability are now all available to customers



<https://tankcleaningtechnologies.co.uk/news/have-you-the-balls-to-clean-up>

<https://tankcleaningtechnologies.co.uk/service/tank-cleaning-equipment/spray-balls>